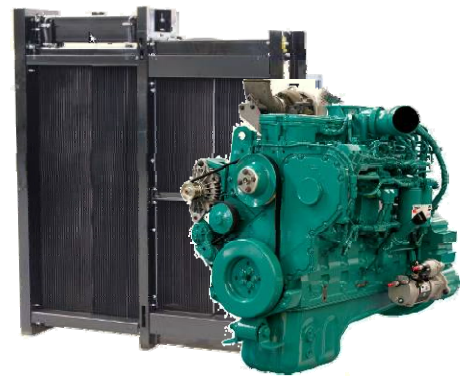


# QSL9-G4

**Emissions Compliance:**  
**EU Stage IIIA at 50Hz and 60Hz**  
**EPA Tier 3 at 50Hz and 60Hz**



> Specification sheet



Our energy working for you.™

## Description

Cummins QSL engines are built to deliver heavy-duty performance. Full-authority electronic engine controls combine with the high-pressure fuel system, 24-valve design and centred injectors for one of the highest power-to-weight ratios in its class. At the same time, the QSL delivers better fuel economy, has better cold starting capability and is up to 50% quieter in operation than its predecessors.



This engine has been built to comply with CE certification.



This engine has been designed in facilities certified to ISO9001 and manufactured in facilities certified to ISO9001 or ISO9002.

## Features

**Common Rail Fuel System and Controls** - Bosch high pressure common rail (HPCR) - Optimize engine performance to provide seamless integration and advanced diagnostics and programming options.

**Holset HX40 Turbocharger** – Fixed geometry design.

**Integrated Block Design** - Integrated fluid circuits replace hoses and eliminate potential leaks.

**24-Valve Cylinder Head** – Four valves per cylinder for increased power with faster response & fuel economy.

**Coolpac Integrated Design** - Products are supplied complete with cooling package and air cleaner kit for a complete power package. Each component has been specifically developed and rigorously tested for G-Drive products, ensuring high performance, durability and reliability.

**Service and Support** - The QSL9-G4 delivers 500 hour oil change intervals when Oil Pan OP9339 is utilised. G-Drive products are backed by an uncompromising level of technical support and after sales service, delivered through a world class service network.

## 1500 rpm (50 Hz Ratings)

Gross Engine Output			Net Engine Output			Typical Generator Set Output					
Standby	Prime	Base	Standby	Prime	Base	Standby (ESP)		Prime (PRP)		Base (COP)	
kWm/BHP			kWm/BHP			kWe	kVA	kWe	kVA	kWe	kVA
279/374	245/328	221/296	265/355	234/314	210/281	240	300	220	275	200	250

## 1800 rpm (60 Hz Ratings)

Gross Engine Output			Net Engine Output			Typical Generator Set Output					
Standby	Prime	Base	Standby	Prime	Base	Standby (ESP)		Prime (PRP)		Base (COP)	
kWm/BHP			kWm/BHP			kWe	kVA	kWe	kVA	kWe	kVA
321/430	282/378	255/342	306/410	270/362	243/326	275	344	250	313	225	281

Our energy working for you.™

[www.cumminsgdrive.com](http://www.cumminsgdrive.com)

©2011 | Cummins G-Drive Engines | Specifications Subject to Change Without Notice | Cummins is a registered trademark of Cummins Inc. (09/11) (GDSS122)



## General Engine Data

Type	4 cycle, in-line, Turbo Charged, Air-cooled
Bore mm	114 mm (4.5in.)
Stroke mm	145 mm (5.7in.)
Displacement Litre	8.8 litre (543 in. <sup>3</sup> )
Cylinder Block	Cast iron, 6 cylinder
Battery Charging Alternator	70 amps
Starting Voltage	24 volt, negative ground
Fuel System	Direct injection
Fuel Filter	Spin-on fuel filters with water separator
Lube Oil Filter Type(s)	Spin-on full flow filter
Lube Oil Capacity (l)	26.5
Flywheel Dimensions	SAE 1 / 18

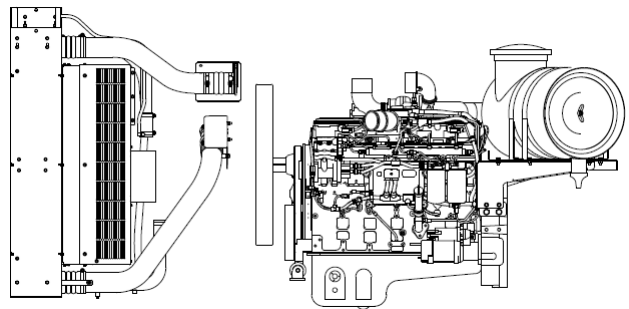
## Coolpac Performance Data

Cooling System Design	Air-Air Charge Cooled
Coolant Ratio	50% ethylene glycol; 50% water
Coolant Capacity (l)	15.0
Limiting Ambient Temp (°C).**	50 (50HZ); 50 (60HZ)
Fan Power (kWm)	10 (50HZ); 11 (60HZ)
Cooling System Air Flow (m <sup>3</sup> /s)**	7.92 (50HZ); 9.47 (60HZ)
Air Cleaner Type	Heavy Duty, Dry replaceable element with restriction indicator

\*\* @ 13 mm H<sub>2</sub>O

## CoolPac Weight & Dimensions

Length	Width	Height	Weight (dry)
mm	mm	mm	kg
2213	1137	1524	939



## Ratings Definitions

### Emergency Standby Power (ESP):

Applicable for supplying power to varying electrical load for the duration of power interruption of a reliable utility source. Emergency Standby Power (ESP) is in accordance with ISO 8528. Fuel Stop power in accordance with ISO 3046, AS 2789, DIN 6271 and BS 5514.

### Limited-Time Running Power (LTP):

Applicable for supplying power to a constant electrical load for limited hours. Limited-Time Running Power (LTP) is in accordance with ISO 8528.

### Prime Power (PRP):

Applicable for supplying power to varying electrical load for unlimited hours. Prime Power (PRP) is in accordance with ISO 8528. Ten percent overload capability is available in accordance with ISO 3046, AS 2789, DIN 6271 and BS 5514.

### Base Load (Continuous) Power (COP):

Applicable for supplying power continuously to a constant electrical load for unlimited hours. Continuous Power (COP) in accordance with ISO 8528, ISO 3046, AS 2789, DIN6271 and BS 5514.

## Fuel Consumption 1500 (50 Hz)

%	kWm	BHP	L/ph	US gal/ph
<b>Standby Power</b>				
100	279	374	70	18.4
<b>Prime Power</b>				
100	245	328	61	16.2
75	184	246	50	13.3
50	122	164	36	9.4
25	61	82	20	5.4
<b>Continuous Power</b>				
100	221	296	58	15.3

## Fuel Consumption 1800 (60 Hz)

%	kWm	BHP	L/ph	US gal/ph
<b>Standby Power</b>				
100	321	430	82	21.6
<b>Prime Power</b>				
100	282	378	73	19.3
75	211	284	62	16.3
50	141	189	42	11.2
25	71	95	24	6.4
<b>Continuous Power</b>				
100	255	342	68	18.0

## Cummins G-Drive Engines

### Asia Pacific

10 Toh Guan Road  
#07-01  
TT International Tradepark  
Singapore 608838  
Phone 65 6417 2388  
Fax 65 6417 2399

### Europe, CIS, Middle East and Africa

Manston Park Columbus Ave  
Manston Ramsgate  
Kent CT12 5BF. UK  
Phone 44 1843 255000  
Fax 44 1843 255902

### Latin America

Rua Jati, 310, Cumbica  
Guarulhos, SP 07180-900  
Brazil  
Phone 55 11 2186 4552  
Fax 55 11 2186 4729

### Mexico

Cummins S. de R.L. de C.V.  
Eje 122 No. 200 Zona Industrial  
San Luis Potosi, S.L.P. 78090  
Mexico  
Phone 52 444 870 6700  
Fax 52 444 870 6811

### North America

1400 73rd Avenue N.E.  
Minneapolis, MN 55432  
USA  
Phone 1 763 574 5000  
USA Toll-free 1 877 769 7669  
Fax 1 763 574 5298

Our energy working for you.™

[www.cumminsgdrive.com](http://www.cumminsgdrive.com)

©2009 | Cummins G-Drive Engines | Specifications Subject to Change Without Notice | Cummins is a registered trademark of Cummins Inc. (05/09) (GDSS122)