



Enriching Lives

KIRLOSKAR DIESEL ENGINES

Engine Model : 4K1080TA

No. of Cyls.	Bore x Stroke (mm)	Displacement (cc)	Gross Power Output Rating as per ISO3046 at 1800 RPM bhp (kW)		Suitable Power Rating for Generator at 0.8 pf	
			Prime	Standby (ESP)	Prime	Standby (ESP)
4	105 x 125	4330	170 bhp (125.1 kW)	187 bhp (137.6 kW)	135 kVA	148.5 kVA

Features -

- Designed for heavy duty applications
- Extremely reliable
- All service points like dipstick, lube oil filling, lube oil filter, fuel pump, injectors are on one side which is the cooler side. This adds to operator comfort.
- Lower operating cost
- Easy maintenance – higher uptime
- Superior design standards that minimize power deration even at high ambient temperatures.

Ratings Definition:

Standby Ratings: These ratings are applicable for supplying continuous electrical power (at variable load) in the event of a utility power failure. No overload is permitted on these ratings. The alternator on this model is peak continuous rated (as defined in ISO 8528-3)

Prime Rating: These ratings are applicable for supplying continuous electrical power (at variable load) in lieu of commercial purchased power. There is no limitation to the annual hours of operation and this model can supply 10% overload power for 1 hour in 12 hours.

Continuous Rating: These ratings are applicable for supplying power continuously to a constant load upto the full output rating for unlimited hours. No sustained overload capability is available for this rating.

Power, Performance, Peace of Mind.

KIRLOSKAR



Enriching Lives

Engine Technical Data :

Physical Data	
Engine Make	Kirloskar
Engine Model	4K1080TA
Number of cylinders	4
Configuration	Inline
Type	Four stroke
Bore x Stroke (mm)	105 x 125
Displacement (L)	4.33
Cooling	Liquid cooled
Aspiration	Turbocharged
Compression Ratio	15.5 : 1
Starting Arrangement	12V Electric

Fuel System				
Type of fuel filter	Two stage spin on type			
Governor Type	Electronic			
Class of Governing	ISO 3046 Class A1 & ISO 8528-5, Class G2			
Fuel pump type	Inline			
Fuel pump make	Bosch			
Recommended Fuel	Class A2, High speed diesel			
Fuel consumption at +5% tolerance	Load	100%	75%	50%
	L/hr	29.2	21.9	15.8
Fuel consumption readings are based on diesel fuel with a specific gravity of 0.85 and confirming to BS 2869, Class A2)				

Air System	
Air Filter Type	Dry type replaceable element
Exhaust gas flow rate (kg / hr)	705
Combustion fresh air flow (m ³ /hr)	665
Radiator air flow (m ³ /hr)	18000
Total fresh air required (m ³ /hr)	18665

Lubrication System	
Type of lube oil filter	Full flow spin on type
Oil to be used	SAE 15W40 API : CI4
Oil pump type	Through G-rotor gear pump
Lub oil sump capacity (lit)	18
Lube oil consumption	0.3% of fuel consumption

Cooling System	
Cooling system capacity including radiator (lit)	54
Water pump type	Centrifugal
Radiator fan load (hp)	6.5

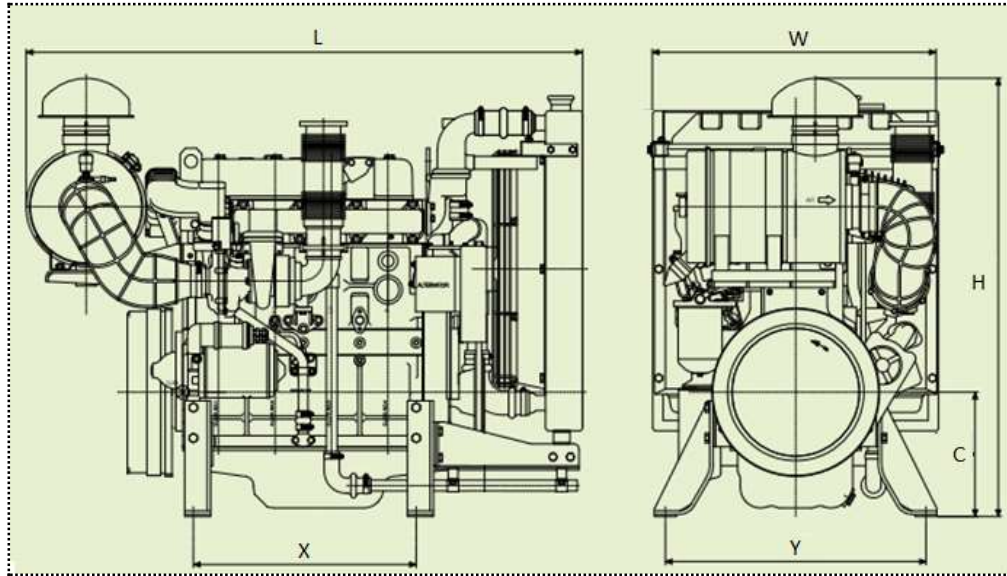
Electrical System	
Starting Arrangement	12V Electric
Starter	12V Electric
Recommended starter battery rating	120 Amp-hr
Battery charging alternator	Engine mounted 12V battery charger
Battery charger amps	35

Power, Performance, Peace of Mind.



Enriching Lives

Engine Dimensional Details :



Dimensions in mm					
L	W	H	C	X	Y
1552	957	1324	Please refer to engine GA drawing		

Weight Details	
Engine weight without radiator Gross / Net (kg)	715/ 630
Radiator and accessories weight Gross / Net (kg)	122 / 105

Coupling	
Flywheel	Suitable for SAE 11.5" disc
Housing	SAE2
Coupling disc	Not supplied

(* Please refer to the respective rating GA drawing)



Enriching Lives

KIRLOSKAR OIL ENGINES LIMITED

Head Office: Laxmanrao Kirloskar Road, Khadki, Pune 411 003, India.
Tel.: +91 20 2581 0341 / 534 Fax: +91 20 2581 3208 Website : www.koel.co.in

International business offices

KIRLOSKAR DMCC

JBC-5, Cluster W, Jumeirah Lake Towers, P.O.Box 37745, Dubai. U.A.E
Tel.: +971 4 443 8591 Fax: +971 4 441 4532
Email: enquiry@kirloskar.ae Website : www.kirloskarib.com

JOBURG INDUSTRIAL TRADING S.A.(Pty) LTD.

Unit B1, The Stables Business Park, Cnr of Third Avenue & Second Road,
Limbro Park, Modderfontein, Johannesburg.
Tel.: +27(0) 11 553 6900/6903 Email: kirsons@kirloskar.co.za

KIRLOSKAR KENYA LTD.

P.O. Box 60061, Off Dunga Road, Nairobi, Kenya. Tel.: +254 20 653 6632
Fax: +254 20 653 3390 Email: rspatil@kirloskar.co.ke

KOEL AMERICAS CORPORATION

33300 Egypt Lane, Suite C300, Magnolia, TEXAS – 77354, United States
Tel. : +1 346 248 5777 Email: Vinay.Kulkarni@koelamerica.com

VIETNAM REPRESENTATIVE OFFICE

Suite 1331A, 13th Floor, Level One Saigon, mPlaza Saigon,
No. 39 Le Duan Street, Ben Nghe Ward, District 1, Ho Chi Minh City,
Vietnam Tel.: +84 1 229659756 Email: Sanjay.Kunchetti@kirloskar.com

Kirloskar Oil Engines Limited reserved the right to change the design or specifications without notice

Power, Performance, Peace of Mind.